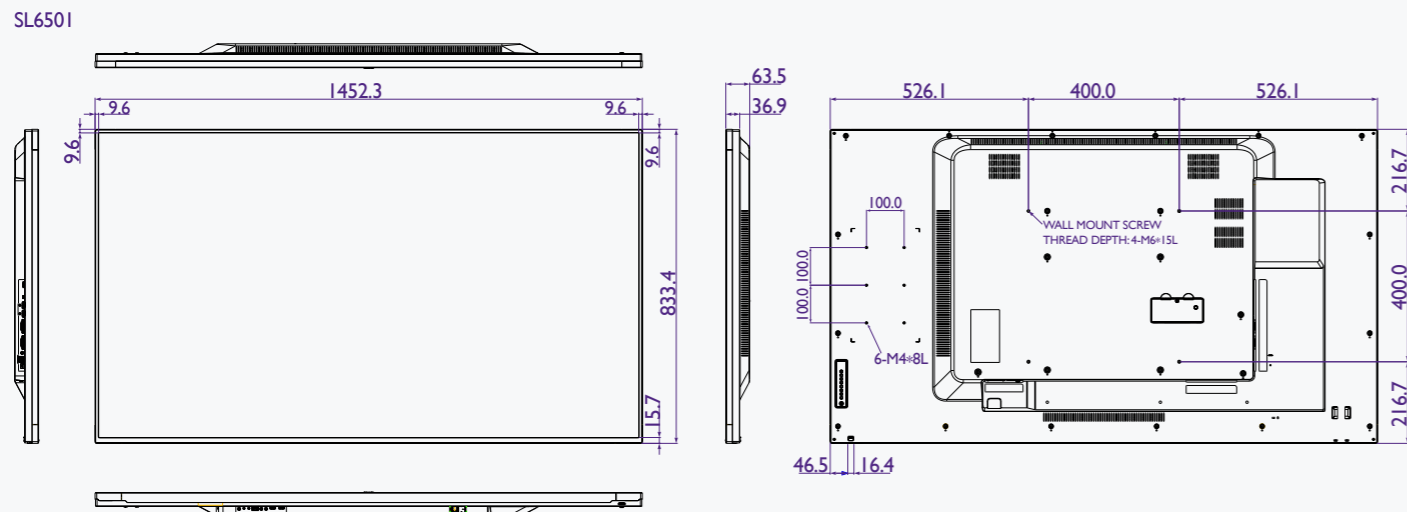
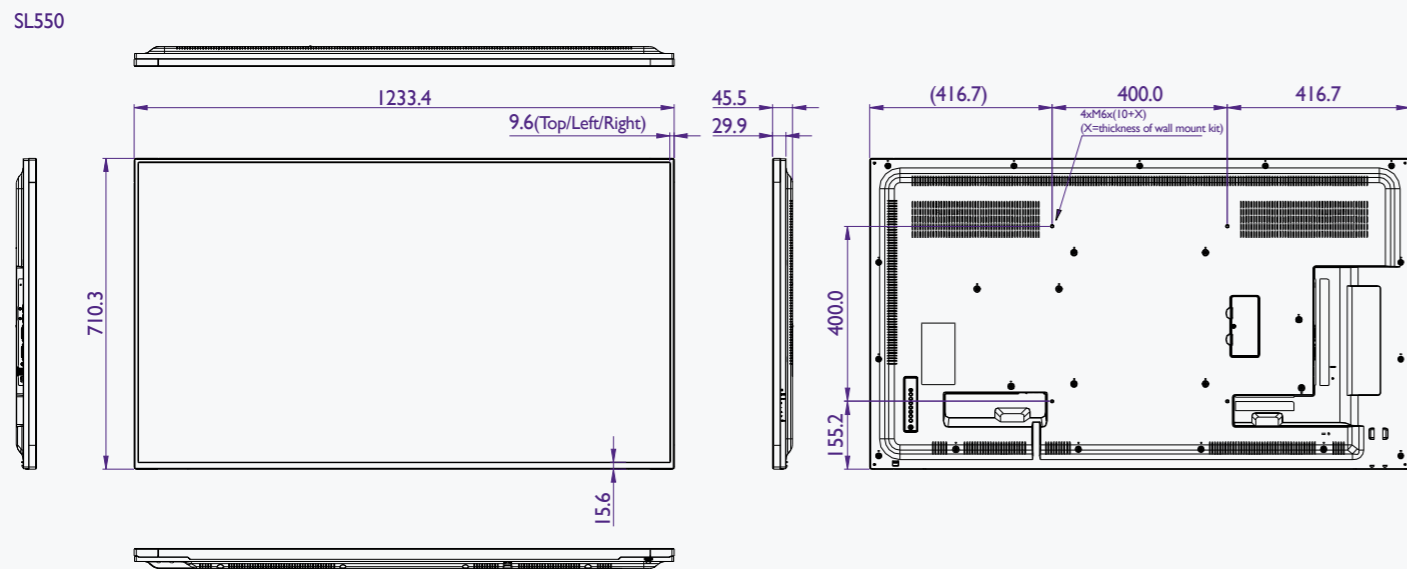
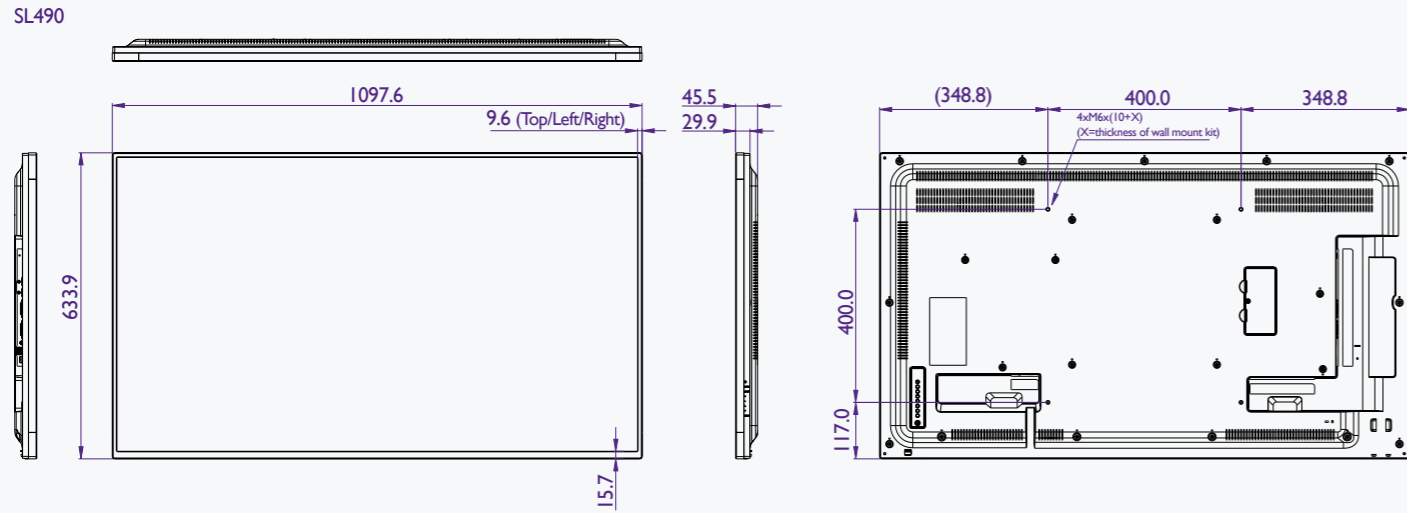
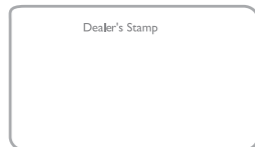


Dimension



Your One-Stop Display Solution
BenQ 49"/ 55"/ 65" Smart Signage



Android is a trademark of Google Inc. The Android robot is reproduced or modified from work created and shared by Google and used according to terms described in the Creative Commons 3.0 Attribution License.



© 2018 BenQ Corp. Specification may vary by region, please visit your local stores for details. Actual product's features and specifications are subject to change without notice. This material may include corporate names and trademarks of third parties which are the properties of the third parties respectively. Doc: DSP_SL490_SL550_SL6501_DS_EN_201806

BenQ Smart Signage Series



Because it matters



Only SL450 and SL550 are compatible with the stand

A Highly Reliable and Versatile Smart Signage

The All-in-One Smart Solution for All Businesses

SL series is the total package suitable for businesses of all kinds. Optimizing mobility and versatility with the best-in-class hardware and software, SL series aims to showcase your business at the right place and the right time. The powerful X-Sign software facilitates effortless content creation and management, while the MDA application guarantees hassle-free display control.

To further streamline the day-to-day operation for businesses, SL series possesses an Android built-in that allows the signage to start operating without having to connect any external devices to it, offering an all-in-one, clutter free solution that fits perfectly into most neatly organized spaces.

Empowered by the highly reliable PID, SL series is designed to meet the highest standard and has passed numerous tests to ensure optimal, nonstop operation that prevents overheating, brightness decay and image distortion. SL series is the solution that saves you time, efforts and resources all at once.

Integrated X-Sign 2.0 Software with Smart Signage Content Templates



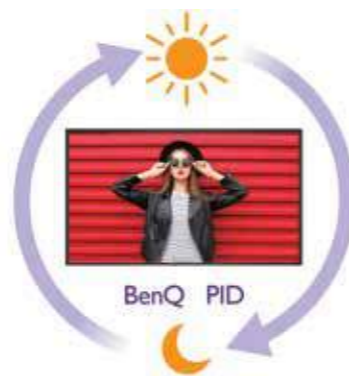
X-Sign Designer

BenQ's X-Sign 2.0 takes the hassle out of designing signage content. Included with the SL series, BenQ's exclusive X-Sign software provides content templates that are especially designed for long-and-narrow bar-type displays, making it easy for operators to quickly design and roll out new promotional material. The templates also let operators add images, videos, and scrolling text to their marketing materials. The long-size templates let operators create marketing content easily while the ability to enrich materials with media content will boost the store's bottom line.

Centralized Remote Display Management

X-Sign's intuitive interface makes it easy for operators to monitor and manage all remote displays from a central, off-site location. With X-Sign, operators can keep tabs on display performance in real-time and receive instant alerts about any issues. Loaded with functionality, X-Sign also allows operators to see what content is playing on each display, manage updates, restart displays, and manage screen on/off and volume settings.

PID, High Reliability



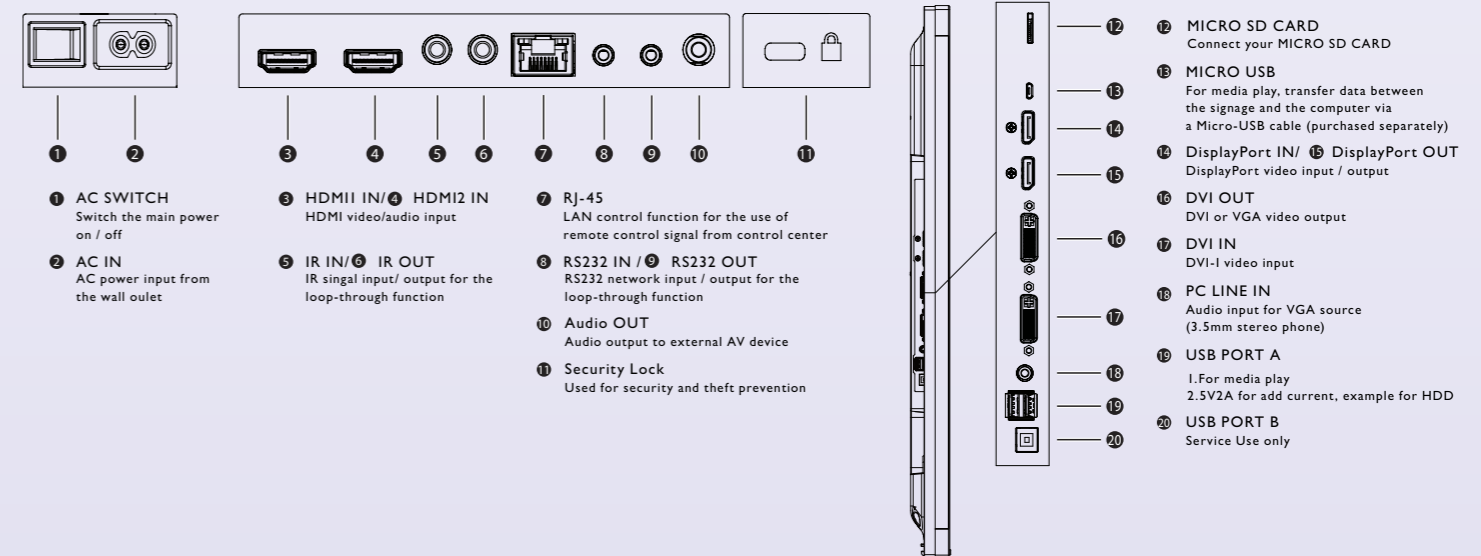
24/7 Non-stop Operation

An amazing life of 50,000 hours translates to years of non-stop display service and reliable industrial-class performance far more economical than consumer models. Built with better cooling techniques reaching longer runtimes for at least 24 hours a day that is safer and more reliable.

Specifications

Model Name		SL490	SL550	SL650I
Panel	Screen Size (inch)	49"	55"	65"
	Backlight/Lightsource	ELED	ELED	ELED
	Active Area (horizontal × vertical)(mm)	1073.8 × 604.0	1206.6 × 680.4	1428.5 × 803.6
	Resolution (pixels)	FHD 1920 × 1080	FHD 1920 × 1080	FHD 1920 × 1080
	Brightness (typical)	450	450	450
	Contrast Ratio (typical)	1100:1	1100:1	1300:1
	Viewing Angle (horizontal/vertical)	178 / 178	178 / 178	178 / 178
	Aspect Ratio	16:9	16:9	16:9
	Light Life (typical)	50000hrs	50000hrs	50000hrs
	Display Orientation	Landscape / Portrait	Landscape / Portrait	Landscape / Portrait
Audio	Internal Speaker (Amp)	10Wx2	10Wx2	10Wx2
	Audio Line In/Out (3.5mm)	x1 / x1	x1 / x1	x1 / x1
Connectivity	VGA In/Out	No / No	No / No	No / No
	DVI In/Out	x1 / x1	x1 / x1	x1 / x1
	HDMI In/Out	x2 / No	x2 / No	x2 / No
	Display Port In/Out	x1 / x1	x1 / x1	x1 / x1
	USB port (Type A)	x2	x2	x2
	RJ45 Port In/Out	x1 / No	x1 / No	x1 / No
Control	RS232 In/Out	x1 / x1	x1 / x1	x1 / x1
	IR Loop Through	x1	x1	x1
Power	AC/DC In	x1	x1	x1
	AC Power Switch	x1	x1	x1
	Voltage	100V~240V, 50-60Hz	100V~240V, 50-60Hz	100V~240V, 50-60Hz
Mechanical	Power Consumption (typical/standby)	67W / <0.5W	76W / <0.5W	100W / <0.5W
	Dimension (WxHxD) (mm)	1097.6 × 633.9 × 45.5	1233.4 × 710.3 × 45.5	1452.3 × 833.4 × 63.5
	Bezel Width (top/bottom/left/right) (mm)	9.5 / 15.6 / 9.5 / 9.5	9.5 / 15.6 / 9.5 / 9.5	9.5 / 15.6 / 9.5 / 9.5
	Weight (w/o Packing/ w/ Packing) (kg)	14.7 / 19.9	18.0 / 24.4	29.8 / 39.0
	Wall Mounting (VESA) (mm)	400 × 400 (4 holes) 4 - M6 × 10L	400 × 400 (4 holes) 4 - M6 × 10L	400 × 400 (4 holes) 4 - M6 × 10L
Environment	Operation Temperature	0°C ~ 40°C	0°C ~ 40°C	0°C ~ 40°C
	Storage Temperature	-20°C ~ 60°C	-20°C ~ 60°C	-20°C ~ 60°C
	Usage (Hour/Day)	24/7	24/7	24/7
OSD	On-Screen Display Languages	21L	21L	24L
Software	Color Calibration	No	No	No
	Multiple Display Control (MDA)	Yes	Yes	Yes
	X-Sign	Yes	Yes	Yes
Accessory	Remote Control	x1	x1	x1
	Power Cord (by region)	By region	By region	By region
	VGA Cable	x1	x1	x1
	HDMI Cable	x1	x1	x1
	Quick Start Guide	x1	x1	x1
	User's Manual Electronic File	x1	x1	x1
	Stand	No	No	No

Input/output terminals



Instant Price Updates

Updating prices and other fluctuating content is easy. Operators just need to modify a centralized .csv file in the cloud.



Broadcast YouTube Live Streaming across Multiple Displays

With X-Sign, operators can insert live YouTube broadcasts of product launches on Smart Signage in real time, which makes promoting new products instant and easy.



QR Code Interaction and Analysis

X-Sign allows operators to embed QR Codes that, when scanned, can offer customers the latest promotional information. X-Sign also offers QR Code analysis to let operators see when and where customers are interacting with content. This analysis can help operators quickly adjust their offers to match customer interest.



Real Time Messages

X-Sign lets operators push real-time messages to the display network to create instant excitement.